

GRÄSSLIN

The First and Only...

Multi-Voltage Defrost Timer

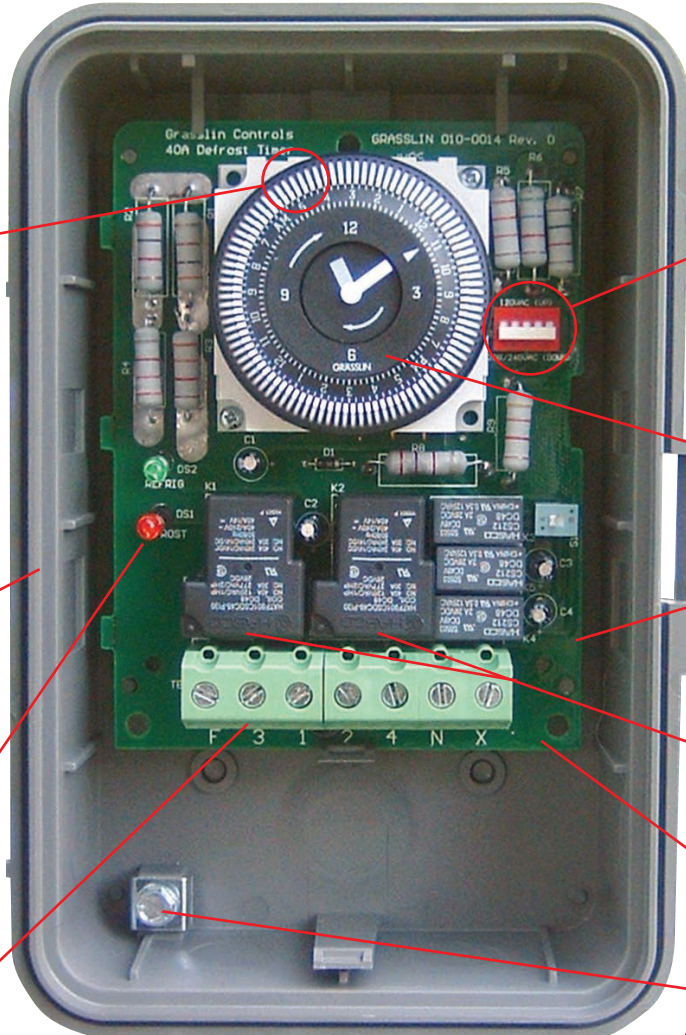
**NOW WITH
40 AMPS!**

FrostKing
DTMV40



**One Defrost Timer
is All You Need!**

Time Initiated, Temperature, Pressure or Time Terminated Multi-Voltage Defrost Timers



Captive Trippers Can't Be Lost
Independently Adjustable Trippers Allow For Full or Partial Defrost Cycles on 15 Minute Intervals

NEW
New Compact VALOX[®] NEMA 3R Outdoor Enclosure Replaces All Metal Enclosures

Red and Green LED Lights Indicate Defrost or Run Cycle

NEW
Large Screw Terminals for Easy Wiring #8 AWG

NEW
Easy Multi-Voltage Field Adjustable DIP Switch for 120 or 208/240 VAC

Real-Time Clock Face

NEW
NO TOOLS REQUIRED!
Our "GUTS" simply snap into existing enclosure

NEW
40 Amp Rated Contacts

NEW
Moisture Resistant Conformal Coated Board

NEW
Ground Lug Termination

Grasslin Controls
40A Defrost Timer
GRASSLIN 010-0014 Rev. 0

120VAC (UP)
208/240VAC (DOWN)

F 3 1 2 4 N X

UL LISTED 8827

File #E83486
Covered by U.S. Patent #6,563,237

DTMV⁴⁰ 120 or 208/240 Volts – The only one to stock.

SPECIFIERS GUIDE

Furnish and install a Grasslin DTMV40 defrost control which is field adjustable for 120V or 240V operation and shall have defrost initiation times settable to the quarter hour via captive trippers at 15 minute intervals. The defrost timer shall be housed in a NEMA 3R indoor/outdoor plastic enclosure. The relay output will be rated for 40A Resistive, 2HP @ 250VAC. Defrost termination to be by time (and by a remote temperature or pressure switch).

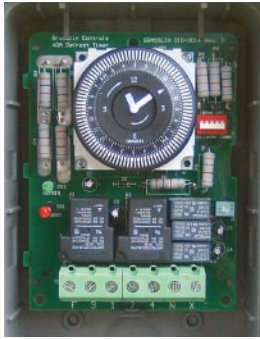
SPECIFICATIONS

Switch Rating:
40A Resistive @ 120VAC, 208~240VAC
2HP @ 208~240VAC; 1HP @ 120VAC
16FLA, 90LRA @ 120VAC
12FLA, 52LRA @ 240VAC
"F" Terminal: 30A Resistive @ 120~240VAC
1HP @ 120VAC; 2HP @ 208~240VAC

Wiring Connections: Screw box lug terminals accommodate up to four #8 AWG wires.

Environmental Ratings:
Operating Temperature Range: -40°F to 131°F (-40°C to 55°C)
Operating Humidity: 0 to 95% non-condensing
Dimensions: 8.795" x 6.631" x 2.935" (H x W x D)
Shipping Weight: 2 lbs.

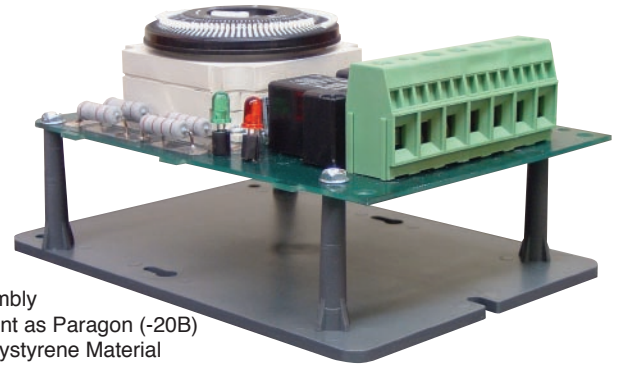
Mechanism Only



DTMV40-M

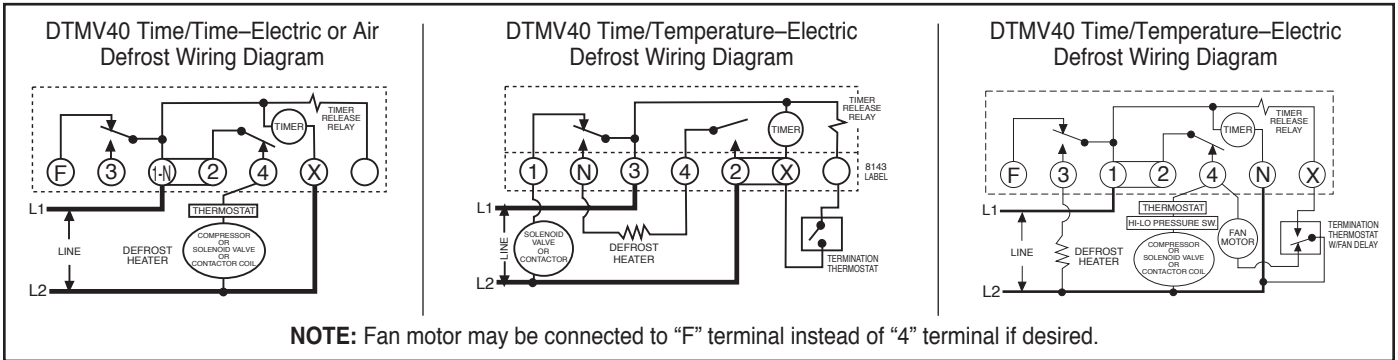
Fits Into Competitors Enclosure

Bracket Mount



DTMV40-B

- All-in-one Assembly
- Identical Footprint as Paragon (-20B)
- High Impact Polystyrene Material
- UL94HB Flame Class Rated
- Electrically Isolated



Universal Replacement

GRASSLIN
DTMV40

PARAGON	PRECISION
8141-00	6141-00
8143-00	6143-00
8145-00	6145-00
8041-00	6041-00
8043-00	6043-00
8045-00	6045-00
8046-00	
8047-00	6047-00
8141-20	6141-20
8143-20	6143-20
8145-20	6145-20
8041-20	6041-20
8043-20	6043-20
8045-20	6045-20
8046-20	
8047-20	6047-20
8245-20*	6245-20
8243-20*	6243-20
8247-20*	6247-20

* Recommended Pressure Switches: Johnson/Penn P170, Ranco 010 series, or Danfoss KP1 series. Pressure range approximately 35-110psi, Cut-in on pressure rise.



NO TOOLS REQUIRED!
Simply snaps into existing enclosure.
Wiring is identical—no need to change.

Retrofit Conversion Kit

Insulator and Standoffs

Universal Replacement Labels

FrostKing DTMV40 Retrofit Label Kit

Ordering Data

Time Initiated, Remote Temperature, Pressure, or Time Terminated

Model Code	Voltage	Mounting	Timer Type	Battery Backup Duration	Defrost Frequency No./Day	Defrost Duration	Minimum Duration Interval
DTMV40	120V, 208/240V, 60Hz	NEMA 3R Outdoor Enclosure	Synchronous	N/A	1 to 24	15-180 min.	15 min.
DTMV40-M	120V, 208/240V, 60Hz	Mechanism Only	Synchronous	N/A	1 to 24	15-180 min.	15 min.
DTMV40-B	120V, 208/240V, 60Hz	Bracket Mount	Synchronous	N/A	1 to 24	15-180 min.	15 min.
DTMV40-P	120V, 208/240V, 60Hz	Panel Mount	Synchronous	N/A	1 to 24	15-180 min.	15 min.
DTQMV40	120V, 208/240V, 60Hz	NEMA 3R Outdoor Enclosure	Quartz	1 week	1 to 24	15-180 min.	15 min.
DTQMV40-M	120V, 208/240V, 60Hz	Mechanism Only	Quartz	1 week	1 to 24	15-180 min.	15 min.
DTQMV40-B	120V, 208/240V, 60Hz	Bracket Mount	Quartz	1 week	1 to 24	15-180 min.	15 min.
DT140 Digi 20-120	120V, 50/60Hz	NEMA 3R Outdoor Enclosure	Electronic*	1 week	1 to 8	1-180 min.	1 min.
DT140 Digi 20-240	208/240V, 50/60Hz	NEMA 3R Outdoor Enclosure	Electronic*	1 week	1 to 8	1-180 min.	1 min.

Standard models are also available with 50Hz input in 208/240V *Rated at 30 Amps

Distributed by: