

<http://waterheatertimer.org/Intermatic-Defrost-timers-and-manuals.html>

<http://waterheatertimer.org/pdf/Intermatic-DTMV40-instruction-manual.pdf>

You can use DTMV40 as regular on-off timer to turn off one hot wire.

Defrost timers operate by turning off 1 hot wire

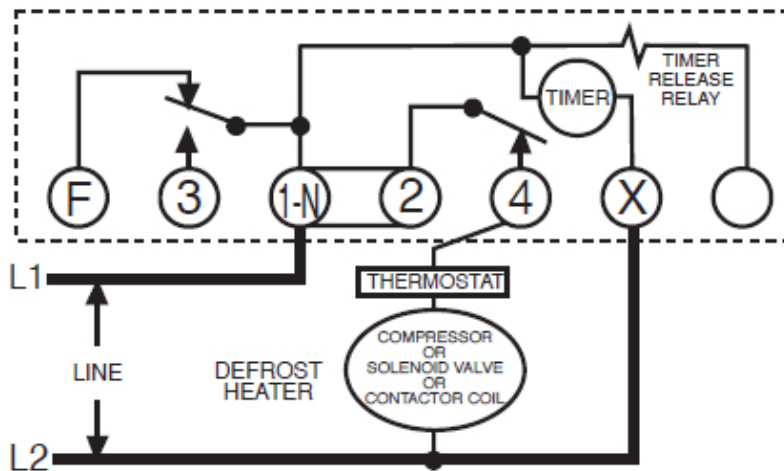
For 240V;

Set switches on timer:

- 1) Set mode selection switch S1 to to Mode A
  - 2) Set input voltage switch S2 down for 240V
- (For 120Volt, set input voltage switch S2 up for 120V)

Here is wiring diagram in .pdf manual for time-time operation

F 3 1-N 2 4 X are the Paragon 8045 terminal numbers (not the DTMV40 terminal numbers)



DTMV40 terminal numbers are F 3 1 2 4 N X

So actual wiring for DTMV40 time-time shows on illustration below

240 Volt L1 L2 connect to 1-2 and N. (120 Volt Hot connects to 1-2 and Neutral to N)

Connect Load to terminals 4 and N (or F and N, or 3 and N)

