

**SPECIFICATION SHEET**

**Turnus 772**

**PRODUCT/ORDER CODE**

Turnus 772 / TURNUS772 dusk/dawn controller / timer

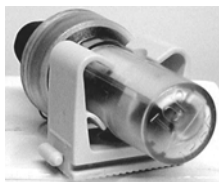


Turnus 772

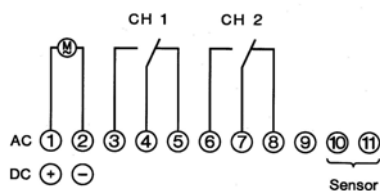
The Turnus 772 is a combined two channel seven-day digital timer and photo-electric control device. The remote sensor -which can be mounted up to 100 metres away from the controller - detects ambient light level. The load is controlled by pre-setting on the din-rail device the lux level at which switching should occur, as well as the timing of the event. The result being that switching only occurs after a certain time, if the ambient light is below a pre-determined level.

**Technical specification:**

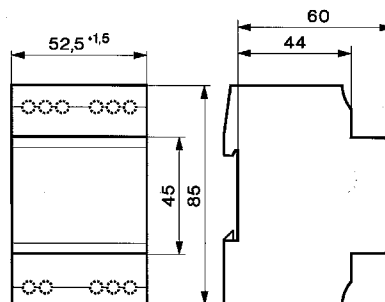
Dimensions	85 x 52.5 x 60 (1 module)
Weight	285g
AC switching capacity:	
- resistive load	10A 250v AC
- inductive load cos $\phi$ 0.6	8A 250v AC
- incandescent lamp load	2000W
Contact type	volt-free changeover
Program spaces	30
Minimum switching time	1 minute
Memory backup	3 years from factory
Ambient temperature	
Control unit	-20 <sup>0</sup> C to +55 <sup>0</sup> C
Sensor	-30 <sup>0</sup> C to +70 <sup>0</sup> C
Adjustment range	2 lux – 500 lux
Hysteresis	Approx. factor 1.3 of ON value
Protection type:	
Control unit	IP20
Sensor	IP65



Remote sensor



Wiring diagram



Dimensional details