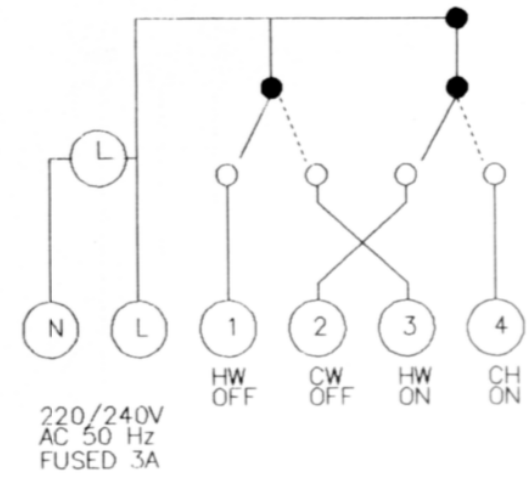
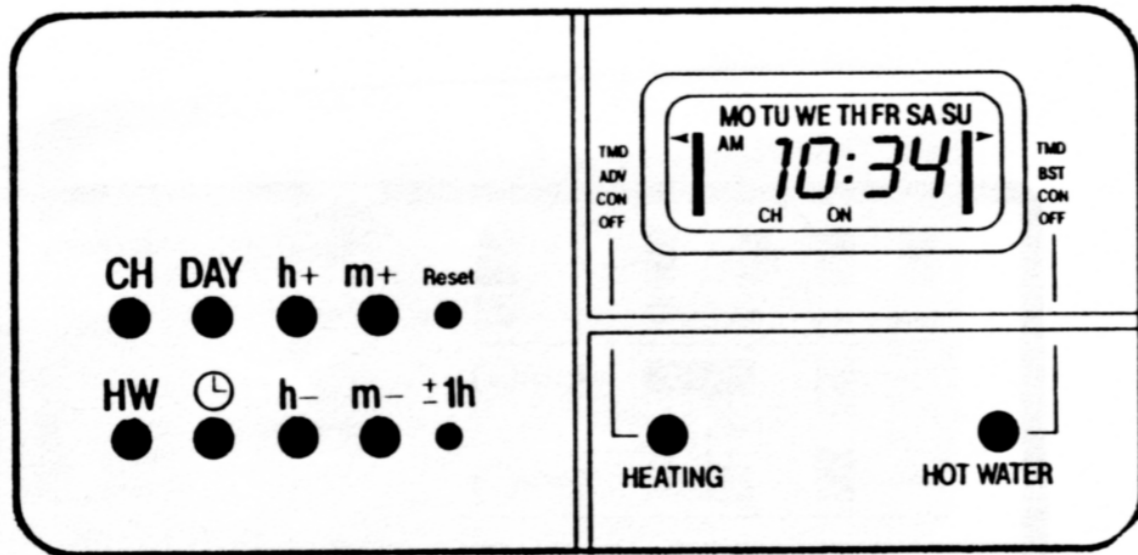


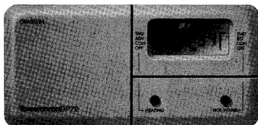
# Towerchron DP72



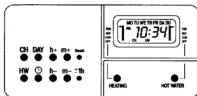
H.79 D.50 W.163

# TOWERCHRON DP72

## Electronic Programmer



Today's Programmer from Tomorrow's World



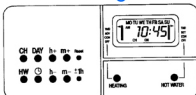
Simple Sophisticated Stylish

INSTALLATION  
INSTRUCTIONS

USER  
INFORMATION

### Button Layout

DP72 Button Layout  
(shown with protective door open)



- CH = Central Heating Select Button
- HW = Hot Water Select Button
- DAY = Day or group of days Select Button
- h+ = Actual time of day Select Button
- h- = Select hours in forward direction
- m+ = Select minutes in forward direction
- m- = Select minutes in reverse direction
- RESET = Brio operated cancel whole of programme and time base
- ±1h = Winter/Summer Time Changeover Switch
- HEATING = Selects timed (TMD), Advance (ADV), Constant (CON) or OFF
- HOT WATER = Selects timed (TMD), Boost (BST), Constant (CON) or OFF

### Before Programming

When first operating the DP72 after installation it must be assumed that the internal rechargeable cell is fully discharged. The unit will not programme in this condition until the 'Reser' button is operated with a thin instrument.

- The 'Reser' button is also used to clear the programmer memory in the event of interference which, if present can cause temporary malfunction and/or incorrect display information. Mains-borne interference, dependent on location, may be present from time to time.

### Selecting current time and day

- (1) Depress and hold down button marked until sequence No. 5 is completed.
- (2) Press 'Day' button repeatedly until current day is showing.
- (3) Use thin instrument to operate ± 1 h button if you are setting in British summertime. This is then set for a one press operation to change from Winter to Summer time without having to reset your programme.
- (4) Use buttons h+ and h- to select correct hour of day. This will show as a.m. or p.m. on the display screen.  
Note: Midnight = 12.00 a.m.  
Midday = 12.00 p.m.
- (5) Use m+ and m- to select correct minutes.
- (6) Now release button. If you have performed the sequence correctly the two dots between the hours and minutes will flash rhythmically and the correct day and time of day are entered.

### Towerchron DP72 in your home

You are now the proud owner of a stylish, sophisticated Central Heating Programmer designed to control your heating and hot water requirements to suit your personal needs. The DP72 enables you to programme your heating and hot water totally independently of each other, if your system permits, and provides a unique day grouping facility which offers a simple to programme weekday/weekend choice of different times to suit both your workday and leisure needs.

Should you wish to override an existing timed programme either to On or Off simply select Advance (ADV) on heating or Boost (BST) on hot water; use of this facility will not permanently disrupt your programme.

The DP72 will not lose its programme or time base for up to 500 hours if mains electricity is disconnected so it will not be affected for 20 days if you wish to switch off before going on holiday. It is essential, however, that the programmer has been on mains supply for 70 hours before it will give you a reserve of 500 hours.

### DP72 Programming

#### IMPORTANT

Check with your installer to confirm whether your system is fully pumped or has a gravity primary, he will know what you mean. If your installer or a knowledgeable person is not available contact us we may be able to assist you by telephone (0732-359888).

If your system has a gravity primary then it is not possible to select central heating without hot water. The unique circuitry of DP72, however, ensures that, should you select a heating only condition, hot water will be brought on automatically.

This feature is particularly useful if heating and hot water are both in a Timed Off condition in which case heating can be advanced to on and will automatically bring on hot water as well. If your system is fully pumped this usually means heating can be programmed totally independently from hot water.

### Inbuilt Programme

The DP72 has a standard inbuilt programme should you wish to use it. This programme will function unless you change it yourself. It is possible to modify slightly, eliminate it completely and replace it with your own.

The inbuilt Programme is the same for Heating and Hot Water:

	ON	OFF	ON	OFF
MONDAY	6.30 a.m.	8.30 a.m.	4.30 p.m.	10.30 p.m.
TUESDAY	6.30 a.m.	8.30 a.m.	4.30 p.m.	10.30 p.m.
WEDNESDAY	6.30 a.m.	8.30 a.m.	4.30 p.m.	10.30 p.m.
THURSDAY	6.30 a.m.	8.30 a.m.	4.30 p.m.	10.30 p.m.
FRIDAY	6.30 a.m.	8.30 a.m.	4.30 p.m.	10.30 p.m.
SATURDAY	8.00 a.m.	11.00 a.m.	4.00 p.m.	11.00 p.m.
SUNDAY	8.00 a.m.	11.00 a.m.	4.00 p.m.	11.00 p.m.

When you have set the actual time of day into the DP72 this inbuilt programme will operate.

-2-

<http://waterheatertimer.org/Intermatic-timers-and-manuals.html#WH>

STEP EXAMPLE: Set for 10.30 a.m. Friday in August. (1)

(1) Keep depressed



(2) DAY Select day



(3) ±1h Press



(4) h+ Select hour (a.m. or p.m.)



h-  
m- Select minutes



m-  
(6) Release (1) will flash



NOTE: To avoid confusion do not leave dashes (--) in the time display. There should be Zeros instead.

Example: 10 a.m. = 10.00 NOT 10 --

Now that your time base is entered the programmer will operate in accordance with its inbuilt programme unless you wish to modify it or even change it completely.

### Insturcting DP72

Two Buttons marked 'Heating' and 'Hot Water' shown below the screen enable you to select Timed (TMD), Advance (ADV), Constant (CON) and OFF, on Heating and Timed, Boost, Constant and OFF, on Hot Water. The choices you make are indicated by arrows travelling up and down on the screen which point to the selection made. The black vertical bars indicate the 'ON' condition for heating and hot water.

EXAMPLE:  
HEATING Timed  
Hot Water Constant

