

Grässlin GmbH

Bundesstraße 36 D-78112 St. Georgen Germany Phone: +49 7724 933-0 Fax: +49 7724 933-240 www.graesslin.de info@graesslin.de

80.10.1352.7/12/13/02

More information on our web page: http://qeg.graesslin.de/qrcode/im/qeg2/



Safety Instructions

Danger! Risk of electric shock! Installation must be carried out by a professional electrician!

- To avoid injuries, the device must be installed by a skilled electrician only! Before changing the battery, the device must be disconnected from the power supply! Please observe the national regulations and safety instructions. Interferences and changes to the device will invalidate the warranty and guarantee rights. Maximum diameter of the conductors lines for the terminals: 2 x 2,5 mm²

Read and observe these instructions to guarantee a perfect function of the device and a safe operation.



Information about the device

What is a programmer? ...an Explanation for Household (as recommended by the Energy Savings Trust)

Programmers allow you to set 'ON' and 'OFF' time periods. Some models switch the central heating and domestic hot water on and off at the same time, while others allow the domestic hot water and heating to come on and go off at different times.

Set the 'ON' and 'OFF' time periods to suit your own lifestyle. On some programmers you must also set whether you want the heating and hot water to run continuously, run under the chosen 'ON' and 'OFF' heating periods, or be permanently off.

1) Function not available for all products.

The time on the programmer must be correct. Some types have to be adjusted in spring and autumn at the changes between Greenwich Mean Time and British Summer Time.

You may be able to temporarily adjust the heating programme, for example, 'Override', 'Advance', or 'Boost'. These are explained in the manufacturer's instructions.

The heating will not work if the room thermostat has switched the heating off. And, if you have a hot-water cylinder, the water heating will not work if the cylinder thermostat detects that the hot water has reached the correct temperature.

Description of the device

- Your two channel programmer provides timing control for your central heating and domestic hot water, letting you set ON and OFF periods to suit your own lifestyle. Backlit LCD Display Real Time Clock Up to 3 ON/OFF per day Automatic summertime / wintertime changeover Daily, weekly 1) and week-weekend 1) programming possibility Different running modes: OFF, AUTO, ONCE, CONTINUOUS and HOLIDAYS 1) Manual override function Manual extra hour function 3 different pre-programmed profiles, customizable by user Boiler service interval indication & actions 1)

Designated use

- The programmer is used to control central heating zone systems or combi boilers and domestic hot water systems ("fully pumped" or "gravity-fed"). Suitable for use in dry rooms only! Do not install in the vicinity of devices which generate inductive discharges (motors, transformers, etc.)

Technical data

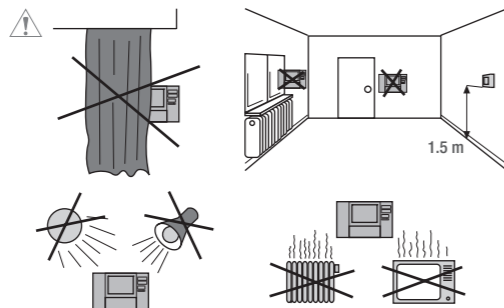
Table with 2 columns: Parameter and Value. Includes dimensions, power supply, switching capacity, time display, and operating temperature range.



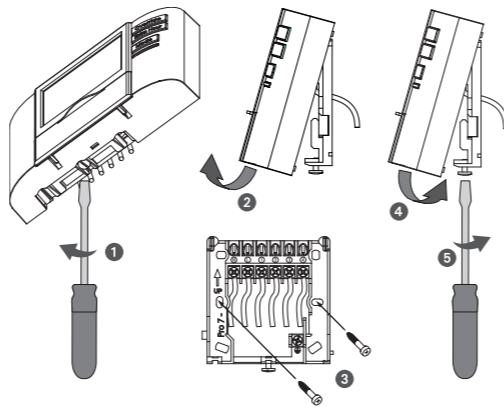
Installation and mounting

Danger! Risk of electric shock! Installation must be carried out by a professional electrician!

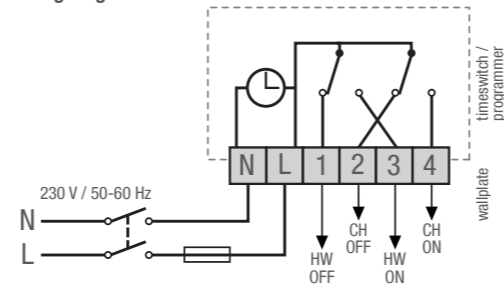
General information



Open/Close housing, Wall mounting



Wiring diagram



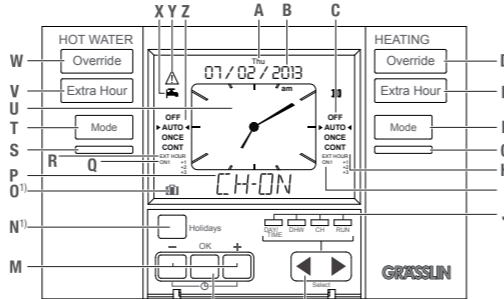
Quick-start guide – 3 clicks to total control

- 1. Connect mains power. Press OK three times. The default Standard in-built programme runs. You can control the QEG with the Override, Extra Hour or Mode buttons.

Please read the full instructions if you want to know more.

Operation and configuration

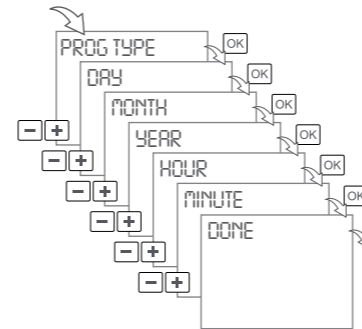
Display / Function keys



- A Day of the week indicator B Current day, month, year C Central heating operating mode indicator D Central heating override button E Central heating extra hour button F Central heating operating mode button G Central heating indicator lamp H Central heating extra hour indication I Central heating programming period indication J Select indicator lamps K Select L OK button M "-" and "+" button N 1) Holiday button O 1) Holiday icon P Information text line Q Domestic hot water programming period indication R Domestic hot water extra hour indication S Domestic hot water indicator lamp T Domestic hot water operating mode button U Analog clock / current time V Domestic hot water extra hour button W Domestic hot water override button X Domestic hot water icon Y Warning icon Z Domestic hot water operating mode indicator

Commissioning

When first using the timer, you have to set programming type, date and time.



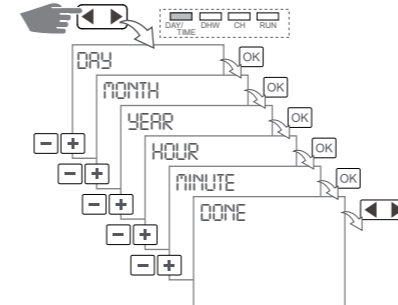
- 1. Connect the programmer to power. Product name and version number are displayed briefly. The preset PROGRAMMING TYPE and OK are flashing.

Depending on the product you can choose between three different settings: Daily, Weekly 1) or Week-Weekend 1).

- Daily: All days (Monday - Sunday) are programmed with the same ON/OFF time schedule. Weekly 1): You can program each day (Monday, Tuesday, ...) with a different ON/OFF time schedule. Week-Weekend 1): You can program Monday - Friday with a ON/OFF time schedule and Saturday - Sunday with a different one.

Set date and time

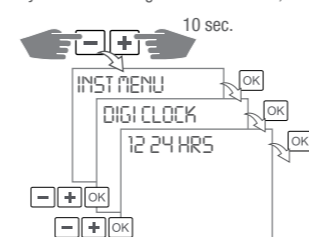
If you wish to change the date or time, follow the instructions below:



- 1. Press the SELECT (left arrow) until menu DAY/TIME is selected. Select indicator lamp DAY/TIME is ON. Enter day, (left arrow) or (right arrow), and confirm with OK. Preset value MONTH is flashing. Enter month, (left arrow) or (right arrow), and confirm with OK. Preset value YEAR is flashing. Enter year, (left arrow) or (right arrow), and confirm with OK. Preset TIME is displayed. Enter hour, (left arrow) or (right arrow), and confirm with OK. Preset value MINUTE is flashing. Enter minute, (left arrow) or (right arrow), and confirm with OK. The date and time are saved. Press the SELECT (left arrow) until indicator lamp RUN is ON.

Change AM/PM time display to 24 hour clock

Your programmer can operate on the 12 hour AM/PM or 24 hour clock formats. If you wish to change the clock format, follow the instructions below:



- 1. Make sure the device is working in RUN mode. Press and hold (left arrow) (right arrow) buttons at the same time for 10 seconds. INST MENU opens and OK is flashing. Confirm with OK. The menu item DIGI CLOCK is displayed. Press (left arrow) to edit settings. Setting NO is flashing. Press (left arrow) or (right arrow) to scroll through the menu. Choose YES and confirm with OK. Setting AM PM is flashing. Press (left arrow) or (right arrow) to scroll through the menu. Choose AM PM or 24 HRS and confirm with OK. The chosen setting is saved. The next menu item BACKLIGHT is displayed. To save your settings, continue scrolling through the menu options with (left arrow) key, until you once again see INST MENU / - OK +, and finally leave the installers menu with (left arrow) key. With QEG-2S, continue scrolling through the menu options with (left arrow) key, until you see CHANGE PIN / - OK +, and finally leave the installers menu with (left arrow) key.

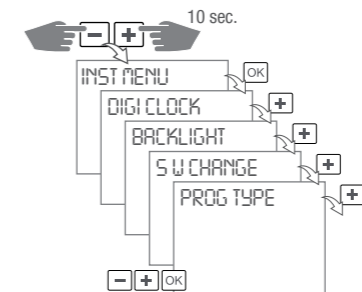
Running a built-in programme (default programmes)

With the date and time correct, your timer will now be operating to the built-in programmes. These have been designed to provide heating at typical times throughout the day. The built-in programmes give you a starting point that you can personalise to your own requirements, please see the section "Review/Edit central heating program" or "Review/Edit domestic hot water program".

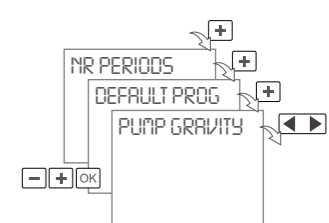
Table with 3 columns: Programme type, ON1 time, ON2 time, ON3 time. Lists settings for STD, HOME, ECO, and WEEKEND programmes.

* On/off programmes with the same time cancel out - no switching will occur.

The built-in programmes can be selected in the INSTALLERS MENU. To access to installers menu, the device must be working in RUN mode.



- 1. Make sure the device is working in RUN mode. Press and hold (left arrow) (right arrow) buttons at the same time for 10 seconds. INST MENU opens and OK is flashing. Confirm with OK. Installers menu is activated. Press 6 x (right arrow) until PUMP GRAVITY is displayed. Press (left arrow) to edit settings. Preset value is flashing. Press (left arrow) or (right arrow) to scroll through the menu. Choose your desired setting (DAILY, WEEKLY 1), 5-2 DAYS 1) and confirm with OK. The chosen setting is saved. The next menu item NR PERIODS is displayed.

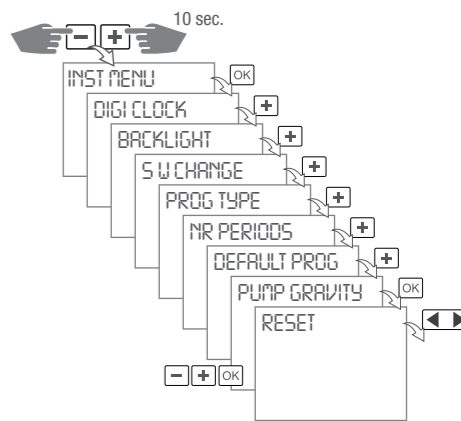


- 7. Press (right arrow) to go to DEFAULT PROG. Press (left arrow) to edit settings. Preset value is flashing. Press (left arrow) or (right arrow) to scroll through the menu. Choose your desired setting (STD, HOME or ECO) and confirm with OK. The chosen setting is saved. The next menu item PUMP GRAVITY is displayed. To save your settings, continue scrolling through the menu options with (left arrow) key, until you once again see INST MENU / - OK +, and finally leave the installers menu with (left arrow) key. With QEG-2S, continue scrolling through the menu options with (left arrow) key, until you see CHANGE PIN / - OK +, and finally leave the installers menu with (left arrow) key.

Domestic hot water systems 1) – "fully pumped system" or "gravity-fed system"

Fully pumped Domestic Hot Water system (PUMPED): The term for any boiler that uses a pump to move all the heat from the boiler to every part of the system is "fully pumped". As a rule one pump is used to circulate the water through valves which divert the flow to the relevant part of the system (Central heating or Domestic Hot water). In this type of systems, both channels of the programmer can work independently. Gravity-fed Domestic Hot Water system (GRAVITY): In gravity fed hot water systems, whenever the boiler comes on to service heating, there will inevitably be some circulation through the hot water storage tank, which will then heat up. Then there is no possibility to have independent programs for heating and hot water.

You can choose the desired system in the INSTALLERS MENU. To access to installers menu, the device must be working in RUN mode.



- 1. Make sure the device is working in RUN mode. Press and hold (left arrow) (right arrow) buttons at the same time for 10 seconds. INST MENU opens and OK is flashing. Confirm with OK. Installers menu is activated. Press 6 x (right arrow) until PUMP GRAVITY is displayed. Press (left arrow) to edit settings. Preset value is flashing. Press (left arrow) or (right arrow) to scroll through the menu. Choose your desired setting (PUMPED OR GRAVITY) and confirm with OK. The chosen setting is saved. The next menu item RESET is displayed. To save your settings, continue scrolling through the menu options with (left arrow) key, until you once again see INST MENU / - OK +, and finally leave the installers menu with (left arrow) key. With QEG-2S, continue scrolling through the menu options with (left arrow) key, until you see CHANGE PIN / - OK +, and finally leave the installers menu with (left arrow) key.

