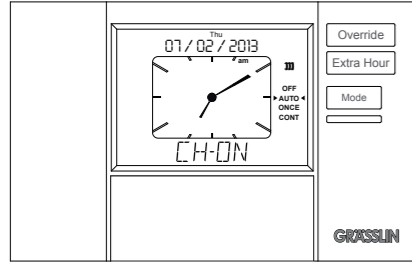




QEG-1  
QEG-1S

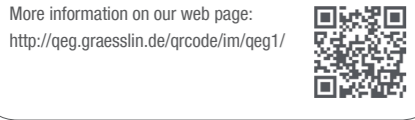
EN Operating Manual



Grässlin GmbH

Bundesstraße 36  
D-78112 St. Georgen  
Germany  
Phone: +49 7724 933-0  
Fax: +49 7724 933-240  
www.graesslin.de  
info@graesslin.de

80.10.1351.7/12/13/02



Safety Instructions

**Danger! Risk of electric shock!**  
Installation must be carried out by a professional electrician!

- To avoid injuries, the device must be installed by a skilled electrician only!
- Before changing the battery, the device must be disconnected from the power supply!
- Please observe the national regulations and safety instructions.
- Interferences and changes to the device will invalidate the warranty and guarantee rights.
- Maximum diameter of the conductors lines for the terminals: 2 x 2,5 mm<sup>2</sup>

Read and observe these instructions to guarantee a perfect function of the device and a safe operation.



Information about the device

**What is a programmer?**  
...an Explanation for Householders (as recommended by the Energy Savings Trust)

Programmers allow you to set 'ON' and 'OFF' time periods. Some models switch the central heating and domestic hot water on and off at the same time, while others allow the domestic hot water and heating to come on and go off at different times.

Set the 'ON' and 'OFF' time periods to suit your own lifestyle. On some programmers you must also set whether you want the heating and hot water to run continuously, run under the chosen 'ON' and 'OFF' heating periods, or be permanently off.

The time on the programmer must be correct. Some types have to be adjusted in spring and autumn at the changes between Greenwich Mean Time and British Summer Time.

You may be able to temporarily adjust the heating programme, for example, 'Override', 'Advance', or 'Boost'. These are explained in the manufacturer's instructions.

The heating will not work if the room thermostat has switched the heating off. And, if you have a hot-water cylinder, the water heating will not work if the cylinder thermostat detects that the hot water has reached the correct temperature.

Description of the device

Your single channel timeswitch provides timing control for your central heating, letting you set ON and OFF periods to suit your own lifestyle.

- Backlit LCD Display
- Real Time Clock
- Up to 3 ON/OFF per day
- Automatic summertime / wintertime changeover
- Daily, weekly<sup>1)</sup> and week-weekend<sup>1)</sup> programming possibility
- Different running modes: OFF, AUTO, ONCE, CONTINUOUS and HOLIDAYS<sup>1)</sup>
- Manual override function
- Manual extra hour function
- 3 different pre-programmed profiles, customizable by user
- Boiler service interval indication & actions<sup>1)</sup>

Designated use

- The programmer is used to control central heating zone systems or combi boilers
- Suitable for use in dry rooms only!
- Do not install in the vicinity of devices which generate inductive discharges (motors, transformers, etc.)

Technical data

Table with 2 columns: Parameter (Dimensions, Weight, Power supply, etc.) and Value.

Time display

- Time setting resolution: 1 min.
- Time of day: 1 min.
- Programmes / min. switching: Selectable (daily, weekly, or week-weekend)
- Programmes: 3 ON/OFF pairs (2 ON/OFF pairs selectable)

Number of switchings per day

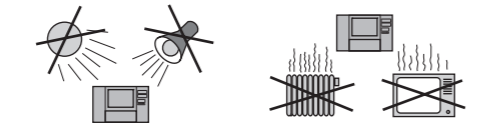
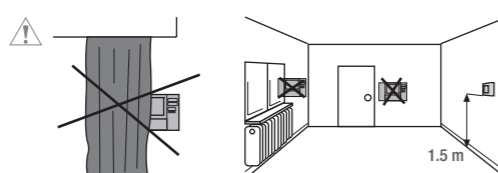
Table with 2 columns: Parameter (Operating temperature range, Ambient temperature, Humidity range, Accuracy, Terminal capacity, Protection type, European standards) and Value.



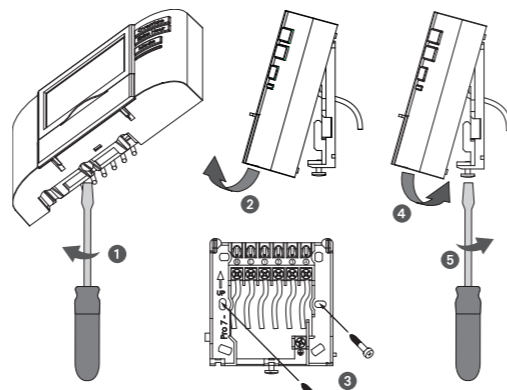
Installation and mounting

**Danger! Risk of electric shock!**  
Installation must be carried out by a professional electrician!

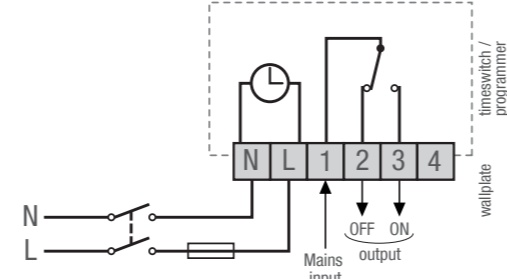
General information



Open/Close housing, Wall mounting



Wiring diagram



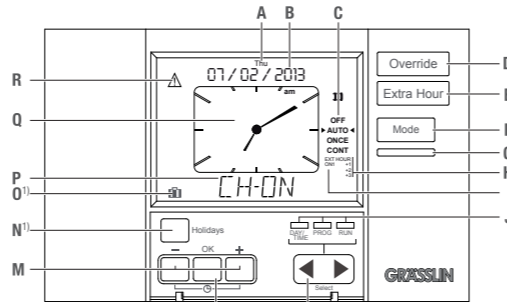
Quick-start guide – 3 clicks to total control

- 1. Connect mains power.
- 2. Press **OK** three times.
  - ▷ The default Standard in-built programme runs.
  - ▷ You can control the QEG with the Override, Extra Hour or Mode buttons.

Please read the full instructions if you want to know more.

Operation and configuration

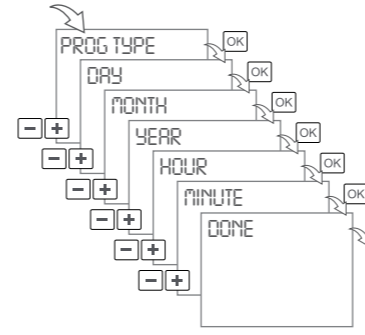
Display / Function keys



- A Day of the week indicator
- B Current day, month, year
- C Central heating operating mode indicator
- D Central heating override button
- E Central heating extra hour button
- F Central heating operating mode button
- G Central heating indicator lamp
- H Central heating extra hour indication
- I Central heating programming period indication
- J Select indicator lamps
- K Select
- L OK button
- M "-" and "+" button
- N<sup>1)</sup> Holiday button
- O<sup>1)</sup> Holiday icon
- P Information text line
- Q Analog clock / current time
- R Warning icon

Commissioning

When first using the timer, you have to set programming type, date and time.



- 1. Connect the programmer to power.
  - ▷ Product name and version number are displayed briefly.
  - ▷ The preset **PROGRAMMING TYPE** and **OK** are flashing.

Depending on the product you can choose between three different settings: Daily, Weekly<sup>1)</sup> or Week-Weekend<sup>1)</sup>.

**Daily** All days (Monday - Sunday) are programmed with the same ON/OFF time schedule

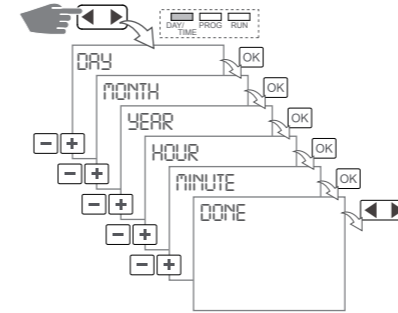
**Weekly<sup>1)</sup>** You can program each day (Monday, Tuesday, ...) with a different ON/OFF time schedule

**Week-Weekend<sup>1)</sup>** You can program Monday - Friday with a ON/OFF time schedule and Saturday - Sunday with a different one.

- 2. Choose your desired programming type (DAILY, WEEKLY<sup>1)</sup>, WEEK-WEEKEND<sup>1)</sup>, [ ] or [ ]), and confirm with **OK**.
  - ▷ Preset value **DATE** is flashing.
- 3. Enter day, [ ] or [ ], and confirm with **OK**.
  - ▷ Preset value **MONTH** is flashing.
- 4. Enter month, [ ] or [ ], and confirm with **OK**.
  - ▷ Preset value **YEAR** is flashing.
- 5. Enter year, [ ] or [ ], and confirm with **OK**.
  - ▷ Preset **TIME** is flashing.
- 6. Enter hour, [ ] or [ ], and confirm with **OK**.
  - ▷ Preset value **MINUTE** is flashing.
- 7. Enter minute, [ ] or [ ], and confirm with **OK**.
  - ▷ The date and time are saved.
  - ▷ The programmer goes to **RUN** mode.

Set date and time

If you wish to change the date or time, follow the instructions below:

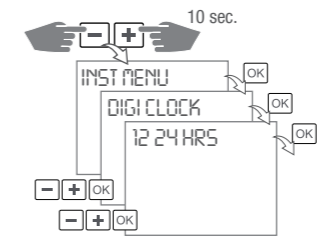


- 1. Press the **SELECT** [ ] until menu **DAY/TIME** is selected.
  - ▷ Select indicator lamp **DAY/TIME** is ON.
- 2. Enter day, [ ] or [ ], and confirm with **OK**.
  - ▷ Preset value **MONTH** is flashing.
- 3. Enter month, [ ] or [ ], and confirm with **OK**.
  - ▷ Preset value **YEAR** is flashing.
- 4. Enter year, [ ] or [ ], and confirm with **OK**.
  - ▷ Preset **TIME** is displayed.
- 5. Enter hour, [ ] or [ ], and confirm with **OK**.
  - ▷ Preset value **MINUTE** is flashing.
- 6. Enter minute, [ ] or [ ], and confirm with **OK**.
  - ▷ The date and time are saved.
- 7. Press the **SELECT** [ ] until indicator lamp **RUN** is ON.

Change AM/PM time display to 24 hour clock

Your programmer can operate on the 12 hour AM/PM or 24 hour clock formats.

If you wish to change the clock format, follow the instructions below:



- 1. Make sure the device is working in **RUN** mode.
- 2. Press and hold [ ] buttons at the same time for 10 seconds.
  - ▷ **INST MENU** opens and **OK** is flashing.
- 3. Confirm with **OK**.
  - ▷ The menu item **DIGI CLOCK** is displayed.
- 4. Press [ ] to edit settings.
  - ▷ Setting **NO** is flashing.
  - ▷ Press [ ] or [ ] to scroll through the menu. Choose **YES** and confirm with **OK**.
    - ▷ Setting **AM PM** is flashing.
- 5. Press [ ] or [ ] to scroll through the menu. Choose **AM PM** or **24 HRS** and confirm with **OK**.
  - ▷ The chosen setting is saved.
  - ▷ The next menu item **BACKLIGHT** is displayed.
- 6. To save your settings, continue scrolling through the menu options with [ ] key, until you once again see **INST MENU / - OK +**, and finally leave the installers menu with [ ] key.
- 7. With QEG-1S, continue scrolling through the menu options with [ ] key, until you see **CHANGE PIN / - OK +**, and finally leave the installers menu with [ ] key.

Running a built-in programme (default programmes)

With the date and time correct, your timer will now be operating to the built-in programmes. These have been designed to provide heating at typical times throughout the day.

The built-in programmes give you a starting point that you can personalise to your own requirements, please see the section "Review/Edit central heating program" or "Review/Edit domestic hot water program".

Built-in programme STD (DEFAULT)

Table showing ON/OFF times for STD, Weekly, Week-, and Week-end programmes.

Built-in programme HOME

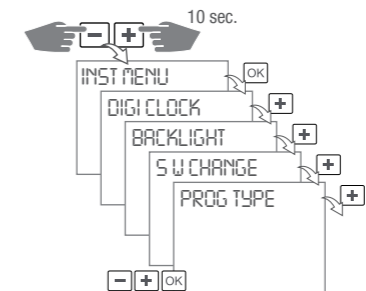
Table showing ON/OFF times for HOME, Weekly, Week-, and Week-end programmes.

Built-in programme ECO

Table showing ON/OFF times for ECO, Weekly, Week-, and Week-end programmes.

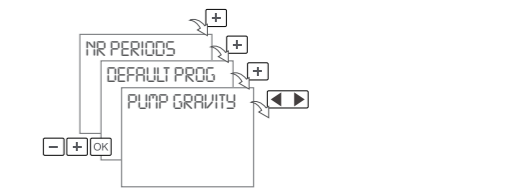
\* On/off programmes with the same time cancel out - no switching will occur.

The built-in programmes can be selected in the **INSTALLERS MENU**. To access to installers menu, the device must be working in **RUN** mode.



- 1. Press the **SELECT** [ ] until indicator lamp **PROG** is ON.
  - ▷ Preset value **ON1** (06:30) is flashing.
- 2. Enter hour and minute for the new **ON1** command, [ ] or [ ], and confirm with **OK**.
  - ▷ Preset value OFF1 (08:30) is flashing.
- 3. Enter hour and minute for the new **OFF1** command, [ ] or [ ], and confirm with **OK**.
  - ▷ Preset value **ON2** (12:00) is flashing.
- 4. Enter hour and minute for the new **ON2** command, [ ] or [ ], and confirm with **OK**.
  - ▷ Preset value OFF2 (12:00) is flashing.

- 1. Make sure the device is working in **RUN** mode.
- 2. Press and hold [ ] buttons at the same time for 10 seconds.
  - ▷ **INST MENU** opens and **OK** is flashing.
- 3. Confirm with **OK**.
  - ▷ Installers menu is activated.
- 4. Press 3 x [ ] until **PROG TYPE** is displayed.
- 5. Press [ ] to edit settings.
  - ▷ Preset value is flashing.
- 6. Press [ ] or [ ] to scroll through the menu. Choose your desired setting (DAILY, WEEKLY<sup>1)</sup>, 5-2 DAYS<sup>1)</sup>) and confirm with **OK**.
  - ▷ The chosen setting is saved.
  - ▷ The next menu item **NR PERIODS** is displayed.



- 7. Press [ ] to go to **DEFAULT PROG**.
- 8. Press [ ] to edit settings.
  - ▷ Preset value is flashing.
- 9. Press [ ] or [ ] to scroll through the menu. Choose your desired setting (STD, HOME or ECO) and confirm with **OK**.
  - ▷ The chosen setting is saved
  - ▷ The next menu item **PUMP GRAVITY** is displayed.
- 10. To save your settings, continue scrolling through the menu options with [ ] key, until you once again see **INST MENU / - OK +**, and finally leave the installers menu with [ ] key.
- With QEG-1S, continue scrolling through the menu options with [ ] key, until you see **CHANGE PIN / - OK +**, and finally leave the installers menu with [ ] key.

Review/Edit central heating (CH) program

Depending on the product you can choose between three different settings: Daily, Weekly<sup>1)</sup> or Week-Weekend (5-2 days)<sup>1)</sup>.

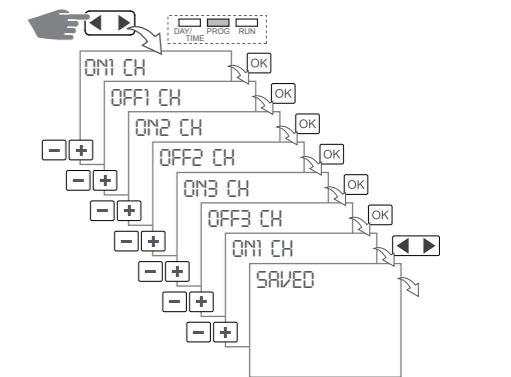
**Daily** All days (Monday - Sunday) are programmed with the same ON/OFF time schedule

**Weekly<sup>1)</sup>** You can program each day (Monday, Tuesday, ...) with a different ON/OFF time schedule

**Week-Weekend<sup>1)</sup>** You can program Monday - Friday with a ON/OFF time schedule and Saturday - Sunday with a different one.

You can choose the desired setting in the **INSTALLERS MENU**. Every programme has three pairs of ON/OFF switching times per day. Each time can be set between 3.00 am and 2.50 am (on the next day).

Example 1: Daily programming CH, built-in programme STD



- 1. Press the **SELECT** [ ] until indicator lamp **PROG** is ON.
  - ▷ Preset value **ON1** (06:30) is flashing.
- Set time:
  - If you make any changes, you must press OK to confirm ALL ON/OFF pairs before pressing the select button to return to the **RUN** mode, otherwise your changes will be lost.
  - Press [ ] or [ ] briefly to increase/decrease the time in 1 minute steps.
  - Press and hold [ ] or [ ] longer than 2 seconds to increase/decrease the time quickly.
  - Or press OK to confirm a displayed (flashing) value

- 2. Enter hour and minute for the new **ON1** command, [ ] or [ ], and confirm with **OK**.
  - ▷ Preset value OFF1 (08:30) is flashing.
- 3. Enter hour and minute for the new **OFF1** command, [ ] or [ ], and confirm with **OK**.
  - ▷ Preset value **ON2** (12:00) is flashing.
- 4. Enter hour and minute for the new **ON2** command, [ ] or [ ], and confirm with **OK**.
  - ▷ Preset value OFF2 (12:00) is flashing.

<sup>1)</sup> Function not available for all products.

